



iskraemeco
BY ELSEWEDY ELECTRIC

RESIDENTIAL SINGLE-JET METER



FEATURES

- Flat or 45° inclined register, for easy direct reading;
- Register versions in polycarbonate or glass cover;
- Customer logo printed in nameplate, when requested;
- Ready to instal inductive or reed-switch sensor, when requested;
- Able to work with hot water;
- Polycarbonate register with fraud indicator in case of compression;
- According to ISO4064:2014/ OIML:R49-2013.

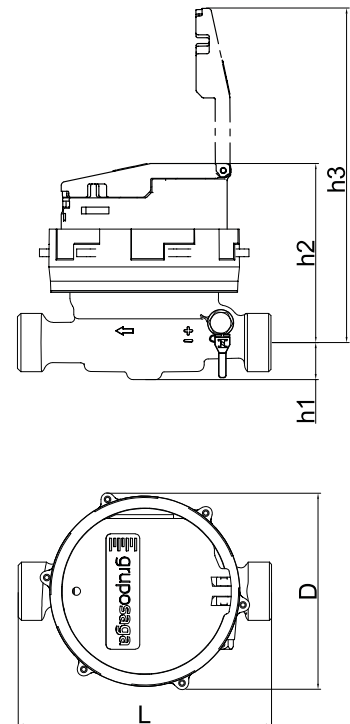
Metrological Specifications and Technical Characteristics

DESIGNATION		UNIT	VALUE AND CHARACTERISTICS	
Permanent Flowrate (Q3)		m ³ /h	2.5	4.0
Ratio Q3/Q1 (Until)		-	R125	
Temperature Class		-	T50 - T90 (per request)	
Starting Flowrate		l/h	9	11
Nominal Pressure		bar	10	
Flow Profile Sensitivity Class		-	U0 / D0	
Head Loss at Q3		bar	0.63	
Degree of Protection		-	IP68	
Magnetic Shield Class		-	I, II, III	
Display Range	Min.	l	0.02	
	Max.	m ³	9999999998	
Outpulse Ratio		lpp	1:1	
Accuracy Class		-	2	

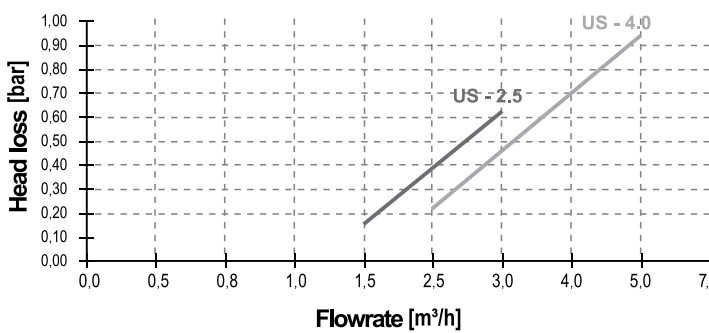


DIMENSIONS

MODEL	UNIT	VALUE
Nominal diameter (DN)	mm	15 - 20
	inch	1/2" - 3/4"
Screw thread	nch	G3/4"B - G1"B
Length (L)	mm	115 - 165 - 190
Width (D)	mm	86
Height (h1)	mm	18
Height (h2)	mm	74
Height (h13)	mm	140



HEAD LOSS CURVE



REGISTER

- 45° in glass cover or polycarbonate;
- Flat in glass cover or polycarbonate;
- Register Base, Polycarbonate or Metal or Polycarbonate with metal rim.



ADD-ONS

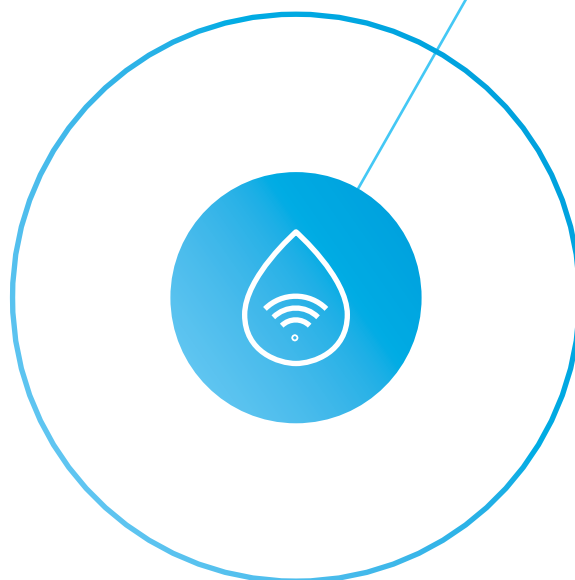




iskraemeco
BY ELSEWEDY ELECTRIC

SMART WATER.

Every drop of water is precious for the planet and for the future life as we know it.



ISKRAEMECO GROUP

Copyright © 2022 Iskraemeco. All rights reserved.
SW EN/2210/093/1